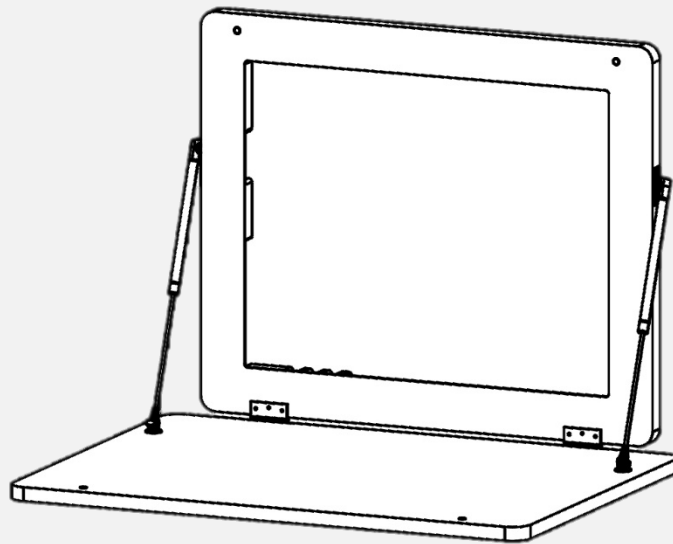


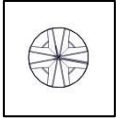
# Flatframe

## Montage

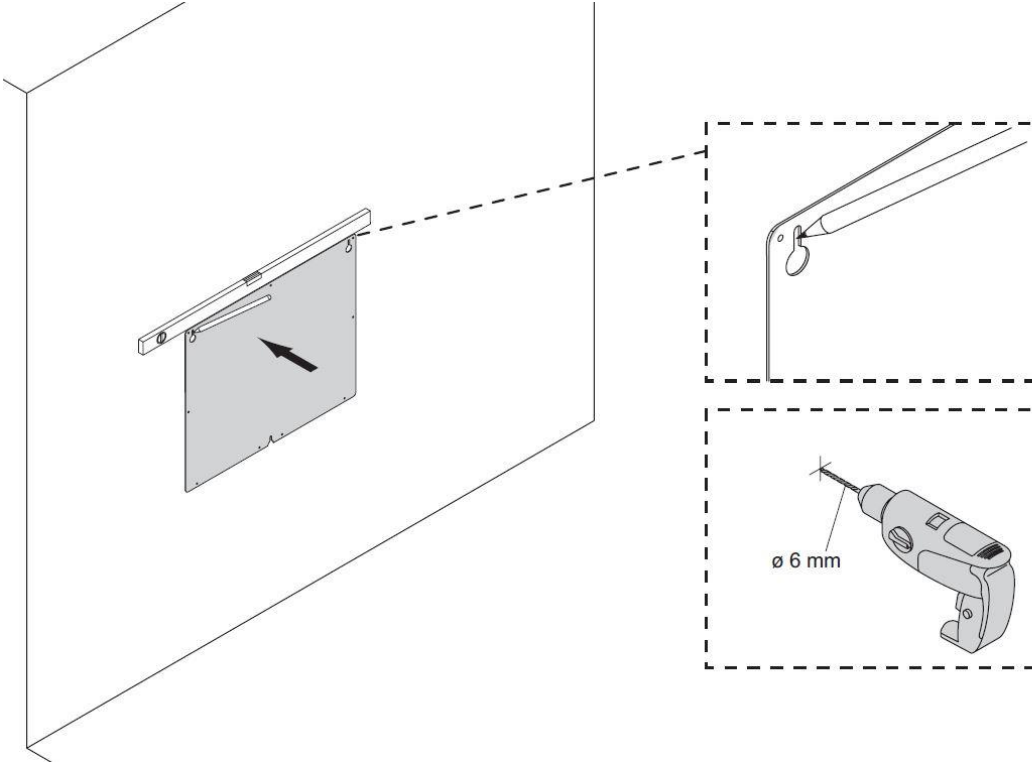




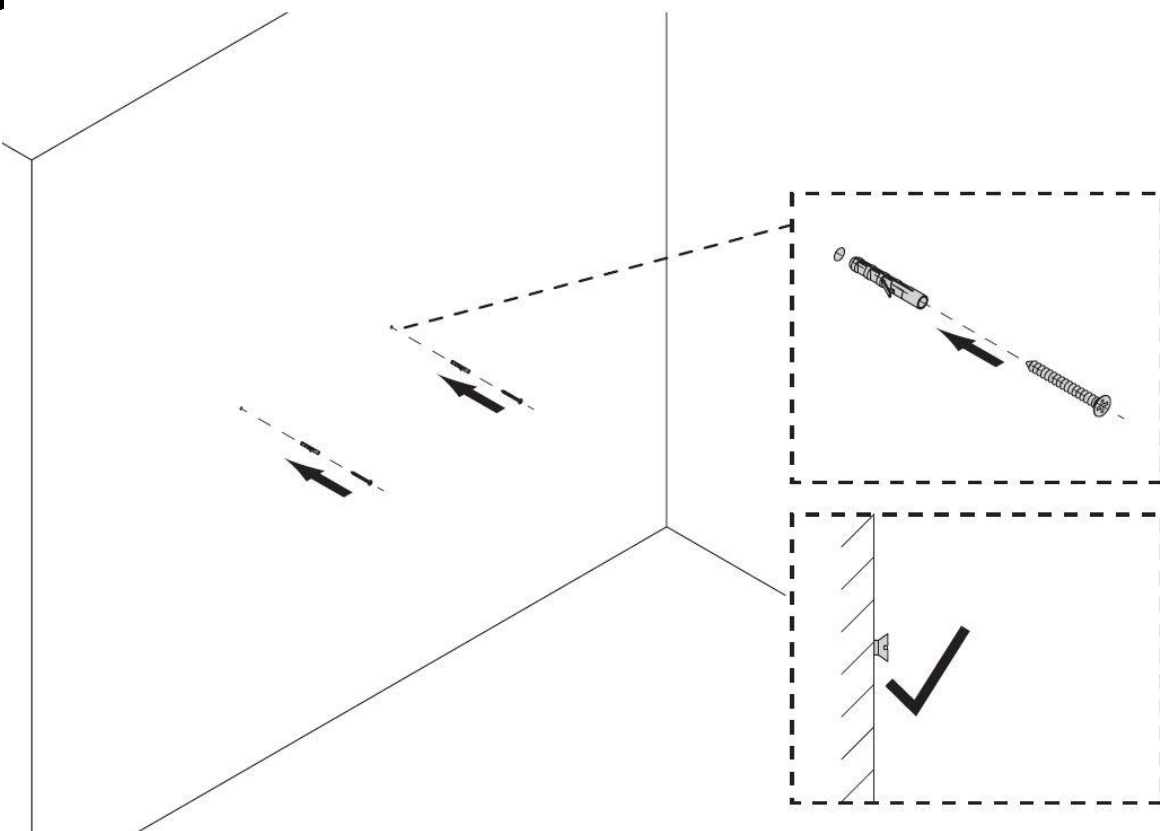
# Flatframe

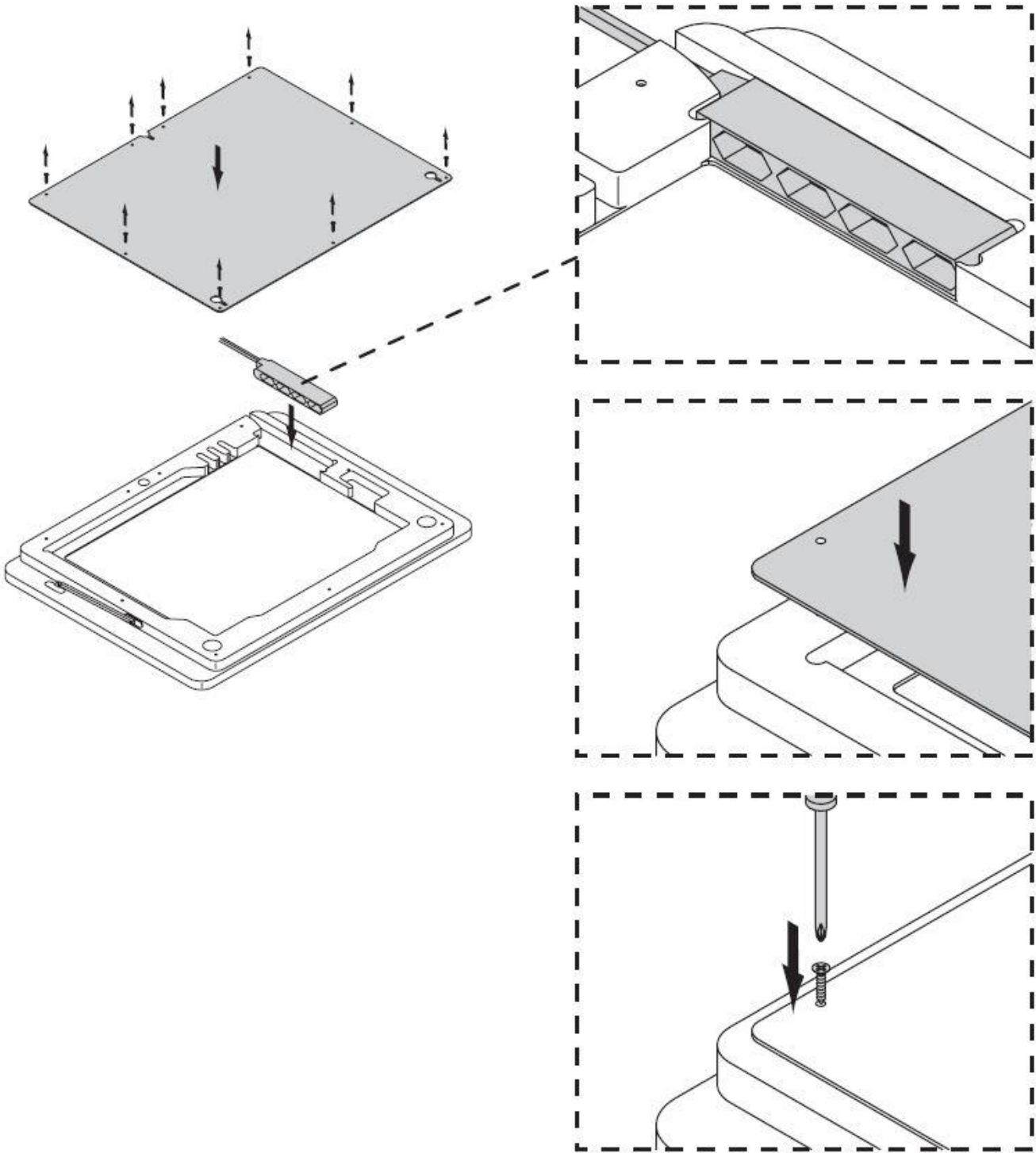


**1**



**2**







# Flatframe

---

4

